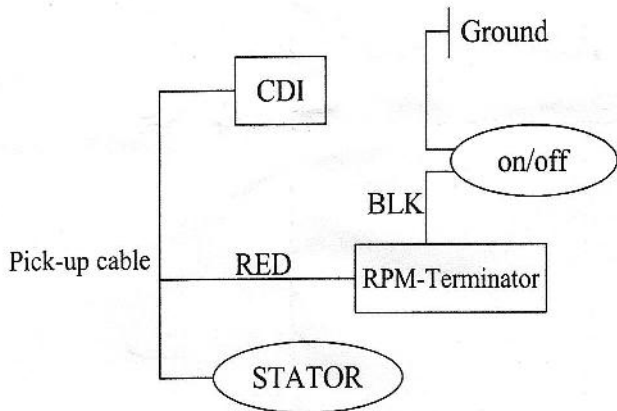


Fine Adjustment For Small RPM-Terminator

Mounting Instructions



⚠ Notice:

Please follow below instructions to adjust the target speed on motorcycle:

1. After mounting the RPM-Terminator (as per above instruction), change the switcher step by step and test the final speed wanted.
2. In case of the speed adjustment failed. please select the first position of the switcher which will be have higher speed than the desired one. Then turn the screw on the clockwise sense till the speed is correct. The range of the potentiometer is 25. (turning from zero to all)

- ▶ Honda-Peugeot-San Yang-kymco: Pick-up cable yellow-blue.
- ▶ Piaggio: Pick-up cable red.
- ▶ Yamaha-Aprilia-MBK-Malaguti-SMT-Minarelli: Pick-up cable white-red.