



Société Nationale de  
Certification et d'Homologation  
Société à responsabilité limitée

October 14<sup>th</sup>, 2011

## STATEMENT

We confirm, that the following replacement silencer type 5512, produced by SITO Gruppo Industriale S.p.A. (S.G.I.), is complying with

- the EC-Directive 97/24/EC Chapter 9 regarding permissible sound level and exhaust system

An EC type approval number has been granted by the luxembourgian Ministry for Sustainable Development and Infrastructure, department of Transport, for the following version of the above mentioned replacement silencer type:

Silencer Version	Drawing No.	Type approval number	Vehicle type	Vehicle Model
5516	5516	SGI e <sub>13</sub> 0497 ⑨	SA09 – SA – SA091	YAMAHA SLIDER 50 Kat
5516	5516	SGI e <sub>13</sub> 0497 ⑨	4TD - 4SB/4VA-VG5SA-5LF1-NP4YB200 – 4VA	YAMAHA BW'S NEXT GENERATION
5516	5516	SGI e <sub>13</sub> 0497 ⑨	5FL – 5NU	YAMAHA BW'S NEXT GENERATION Kat
5516	5516	SGI e <sub>13</sub> 0497 ⑨	3WW (CW50)-4BX-4VU2-VG5SA061001-5LE1 – VGASA056 – VGASA057	YAMAHA BW'S 50
5516	5516	SGI e <sub>13</sub> 0497 ⑨	5LH	MBK STUNT
5516	5516	SGI e <sub>13</sub> 0497 ⑨	4SB – 4VA	MBK ROCKET
5516	5516	SGI e <sub>13</sub> 0497 ⑨	4TD - 4SB - 4VA – VG5SA052001 – 5LF1	MBK BOOSTER 50 NEXTGENERATION
5516	5516	SGI e <sub>13</sub> 0497 ⑨	5FL – 5NU	MBK BOOSTER NEXTGENERATION 50 Kat
5516	5516	SGI e <sub>13</sub> 0497 ⑨	3WW (CW50) - 4BX - 4PA1 - 4WW - VG5SA062001 - 5LE2	MBK BOOSTER 50
5516	5516	SGI e <sub>13</sub> 0497 ⑨	4UP	YAMAHA SPY



Gilles AST  
Expert Technique

Adresse:  
BP 23  
L-5201 Sandweiler

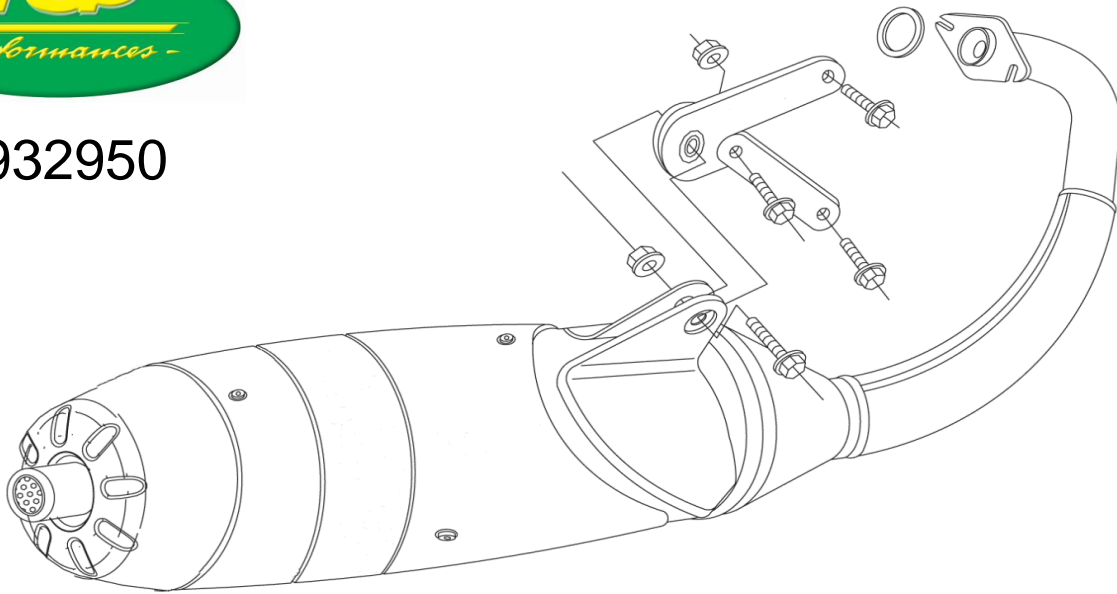
Siège social:  
11, route de Luxembourg  
L-5230 Sandweiler

Capital social: 3.500.000 €  
R.C. B 27180  
N° TVA: LU 13770825

Tél.: (+352) 35 72 14 - 250  
Fax: (+352) 35 72 14 - 244  
E-mail: [info@snch.lu](mailto:info@snch.lu)  
Home page: [www.snch.lu](http://www.snch.lu)



9932950



**RULLI E MOLLE - ROLLERS AND SPRINGS - MASSELOTES ET RESSORTS - ROLLEN UND FEDERN - RODILLOS Y MUELLES**

**RULLI:** (art. 4645 – gr. 4,3 per MBK BOOSTER - YAMAHA BW'S, art. 4645 - 5,8 per NEXT GENERATION - ROCKET e art. 4645 - 4,7 per YAMAHA BW' S 50 KAT )- **MOLLE:** (MINARELLI HARD GIALLE).

**ROLLERS:** (art. 4645 – gr. 4,3 for MBK BOOSTER - YAMAHA BW'S, art. 4645 - 5,8 for NEXT GENERATION - ROCKET and art. 4645 - 4,7 for YAMAHA BW' S 50 KAT )- **SPRINGS:** (MINARELLI HARD YELLOW).

**MASSELOTES:** (ref. 4645 - 4,3 grammes pour MBK BOOSTER - YAMAHA BW'S, ref. 4645 - 5,8 grammes pour NEXT GENERATION - ROCKET et ref. 4645 - 4,7 pour YAMAHA BW'S 50 KAT )- **RESSORTS:** (MINARELLI HARD JAUNES).

**RODILLOS:** (art. 4645 – gr 4,3 para MBK BOOSTER - YAMAHA BW'S, art. 4645 – gr 5,8 para NEXT GENERATION - ROCKET y art. 4645 – gr. 4,7 para YAMAHA BW'S 50 KAT )- **MUELLES:** (MINARELLI HARD AMARILLOS).

**ROLLEN:** (Art. 4645 - gr. 4,3 für MBK BOOSTER - YAMAHA BW'S, Art. 4645 gr. 5,8 für NEXT GENERATION - ROCKET und Art. 4645 gr. 4,7 für YAMAHA BW'S 50 KAT )- **FEDERN:** (MINARELLI HARD GELBE).

**DISEGNO TECNICO RULLI E MOLLE - TECHNICAL DRAWING ROLLERS AND SPRINGS  
CROQUIS TECHNIQUE MASSELOTES ET RESSORTS - TECHNISCHE ZEICHNUNG ROLLEN UND FEDERN  
DISEÑO TÉCNICO RODILLOS Y MUELLES**

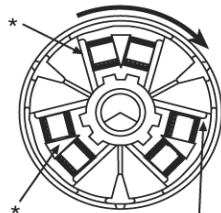
FIGURA 1

- \* Battuta rullo
- \* Roller beat
- \* Retour plastique
- \* Anschlag der rolle
- \* Batiente de rodillo



FIGURA 2

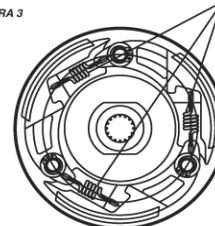
Senso di rotazione  
Clock-wise rotation  
Sens de rotation  
Drehrichtung  
Sentido de rotación



- \* Battuta rullo
- \* Roller beat
- \* Retour plastique
- \* Anschlag der rolle
- \* Batiente de rodillo

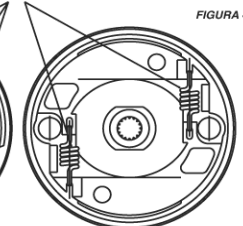
MOLLE DA SOSTITUIRE - SPRINGS TO BE REPLACED  
RESSORTS À REMPLACER - ZU ERSETZENDE FEDER  
MUELLES PARA SUSTITUCIÓN

FIGURA 3



Frizione a 3 molle  
3 springs clutch  
Embrajage à 3 molle  
3-feder-kupplung  
Friccion con 3 muelles

FIGURA 4



Frizione a 2 molle  
2 springs clutch  
Embrajage à 2 ressorts  
2-feder-kupplung  
Friccion con 2 muelles

VISTA DAL LATO INTERNO - VIEW FROM THE INNER SIDE  
VUE DE L'INTERIEUR - ANSICHT VON INNENSEITE  
VISTA DESDE EL LADO INTERIOR